

Spare parts list
(5.971-776.0) Spare parts list K5.740* (WCM)

Table of contents

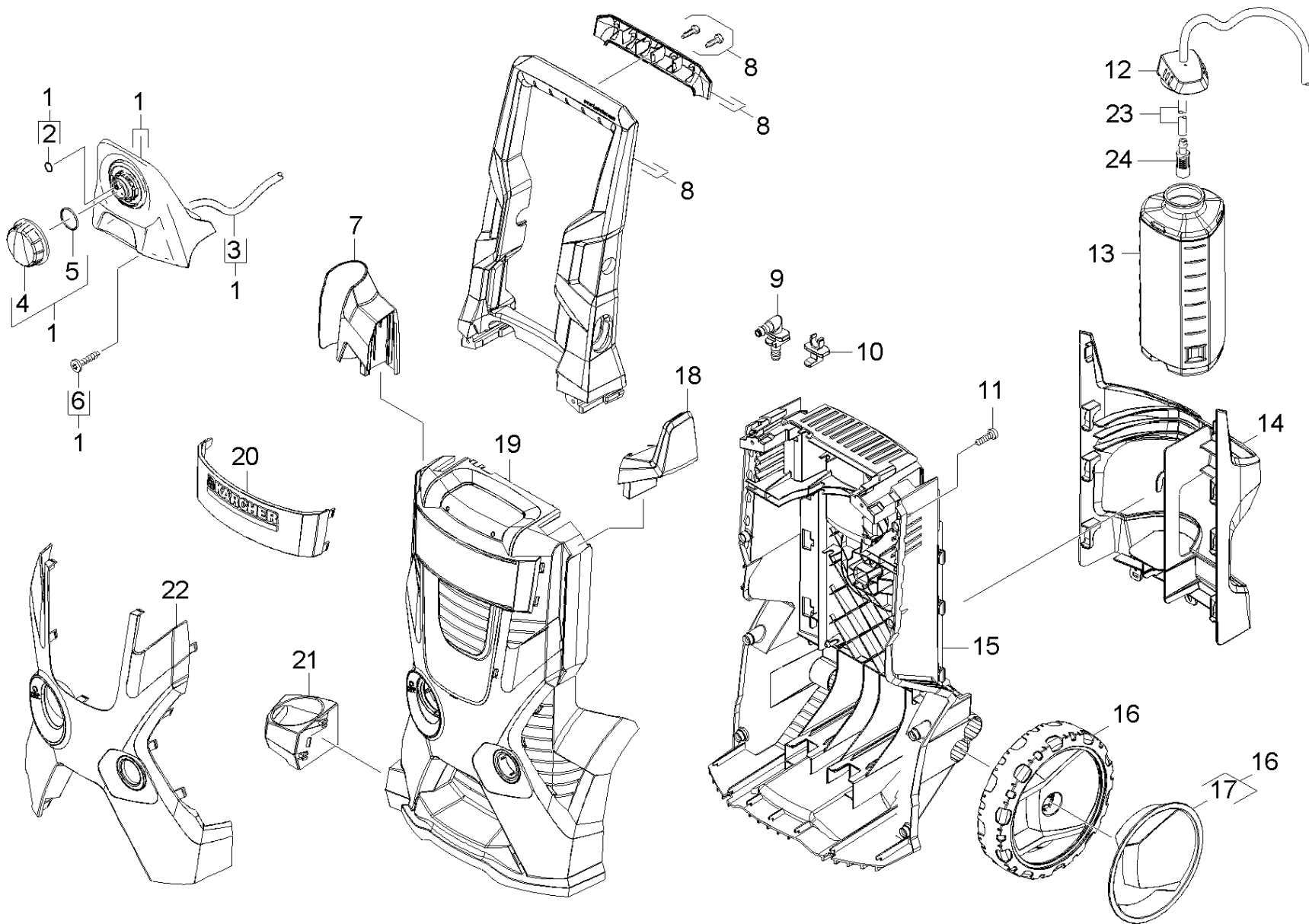
Spare parts list K5.740* (WCM) (5.971-776.0)	6
10 Housing	7
11 Housing	8
12 Hose reel	11
20 Pump set	13
21 Housing	16
22 Housing	18
23 Thrust guidance	20
30 Motor	22
40 Accessories	24
41 Hand trigger gun	25
0 G 160 Q pistol Quick Connect (2.642-172.0)	27
42 High pressure hose	29
43 VPS K3	31
44 Dirt blaster	33
50 Electric box	35
51 Electric box	36
52 Electric box	38

Spare parts list K5.740* (WCM) (5.971-776.0)

Pos	Name	Qty.	Unit
10	Housing	1.000	ST
20	Pump set	1.000	ST
30	Motor	1.000	ST
40	Accessories	1.000	ST
50	Electric box	1.000	ST

10 Housing

Pos	Name	Qty.	Unit
11	Housing	1.000	ST
12	Hose reel	1.000	ST

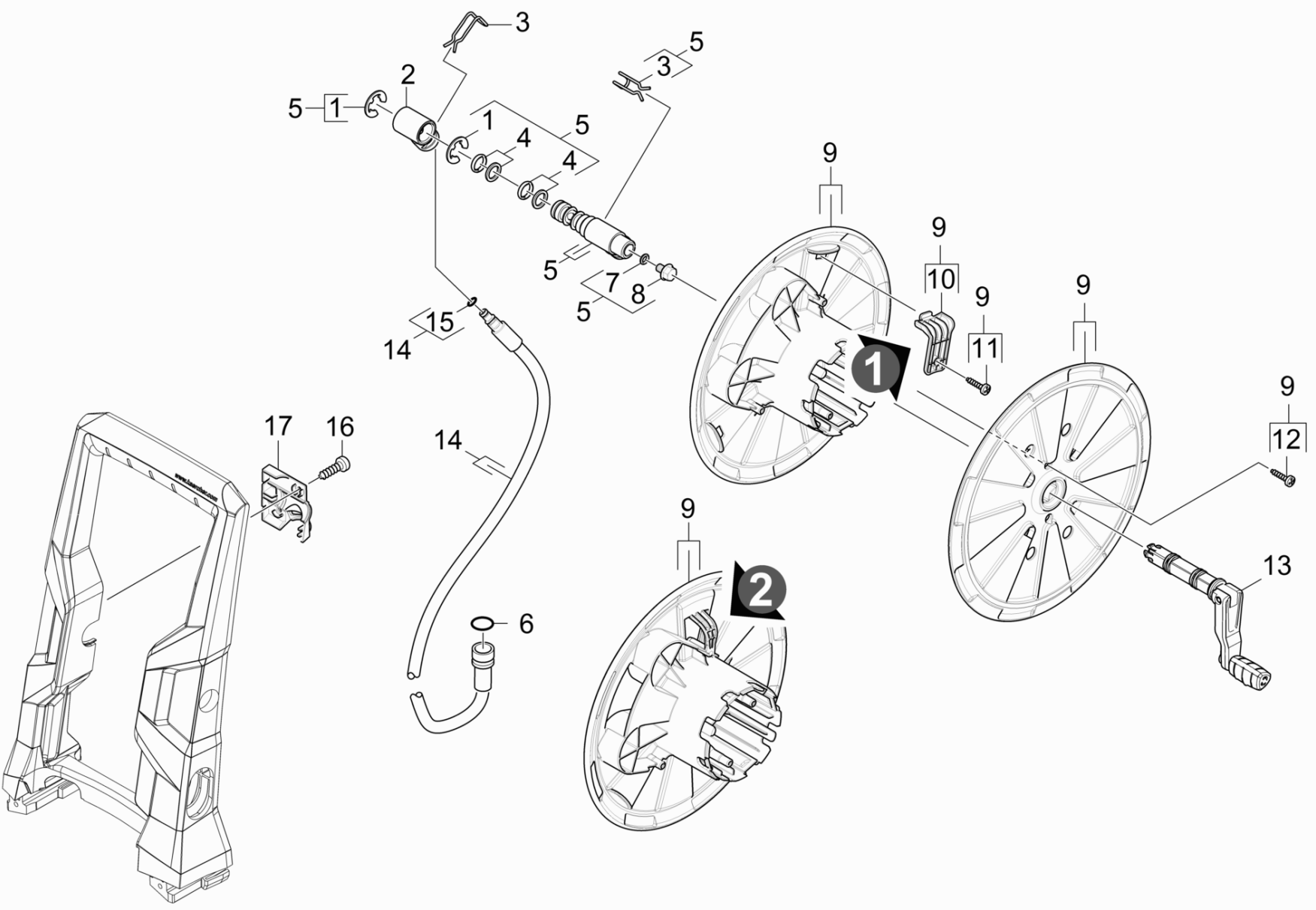


11 Housing

ET/VT (spare/wear parts)	Pos	Material #	Name	Qty.	Unit	Footnote text
X-X	1	2.885-244.0	Spare parts set hook hose	1.000	ST	
	2	6.363-018.0	O-Ring seal 4X2	1.000	ST	
	3	6.390-426.0	Hose DN 5	1.000	M	TO ORDER AS CUT GOODS
	4	9.037-621.0	Handhold chemistry	1.000	ST	
	5	6.362-522.0	O-Ring seal 24,0 X 2,0	1.000	ST	
X	6	9.086-203.0	Screw 4x22	4.000	ST	
X-X	7	9.037-618.0	Holder pistol above	1.000	ST	
X-X	8	9.012-717.0	Handhold complete	1.000	ST	
	9	9.037-861.0	Nipple 90° Mod.Range	1.000	ST	
	10	9.037-933.0	Clamping bolt	1.000	ST	
X	11	9.086-173.0	Screw Hi-Lo d.4x22 Torx-d.7,5	8.000	ST	
	12	9.048-116.0	Fuel tank filler cap WCM **	1.000	ST	
	13	9.037-925.0	Tank WCM **	1.000	ST	
	14	9.037-923.0	Accessory holder ** Version	1.000	ST	
	15	9.755-441.0	Housing rear replacement K3/5 WCM	1.000	ST	
X-X	16	4.515-325.0	Wheel set replacement 200 HUMMER	1.000	ST	SET OF 2 PIECES
X-X	17	4.515-292.0	Screen for replacement 200 Hummer SF	1.000	ST	SET OF 2 PIECES
X-X	18	9.037-622.0	Catch for cable	1.000	ST	
	19	9.755-443.0	Cover black replacement K5 WCM TOP	1.000	ST	
Position text: 1.603-370.0						
	19	9.755-444.0	Cover yellow replacement K5 WCM TOP*CA	1.000	ST	
Position text: 1.603-350.0						
	20	9.001-766.0	Covering cap complete silver	1.000	ST	
X-X	21	9.037-619.0	Holder pistol bottom	1.000	ST	
	22	9.037-630.0	Cover yellow X -TOP	1.000	ST	
Position text: 1.603-370.0						

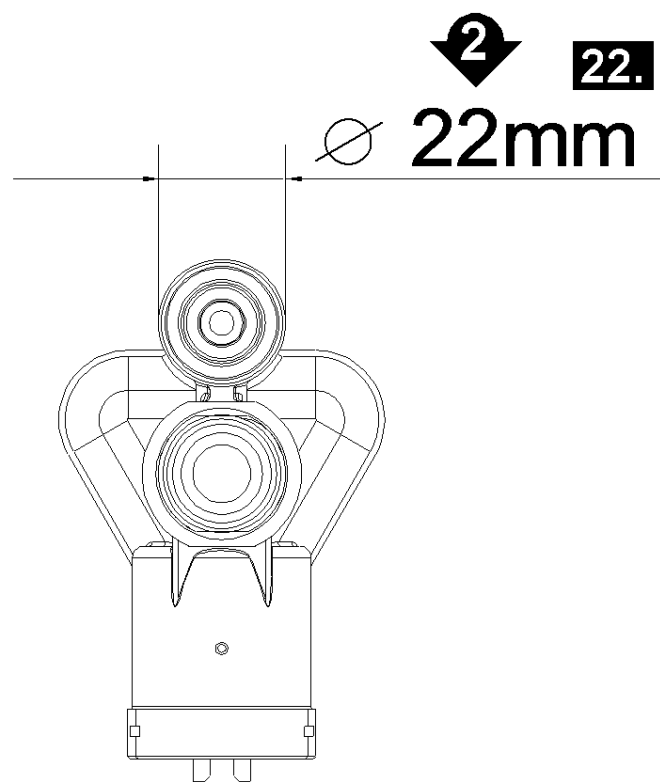
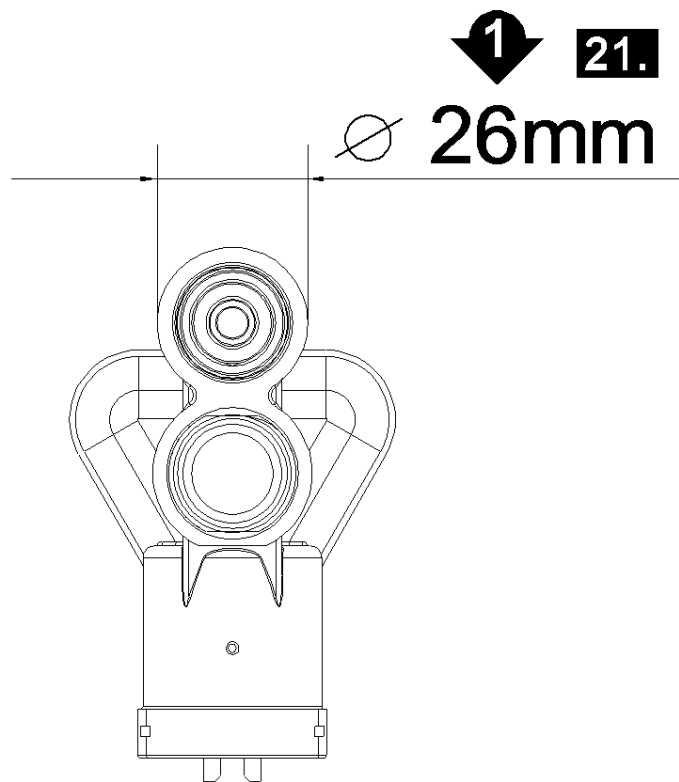
11 Housing

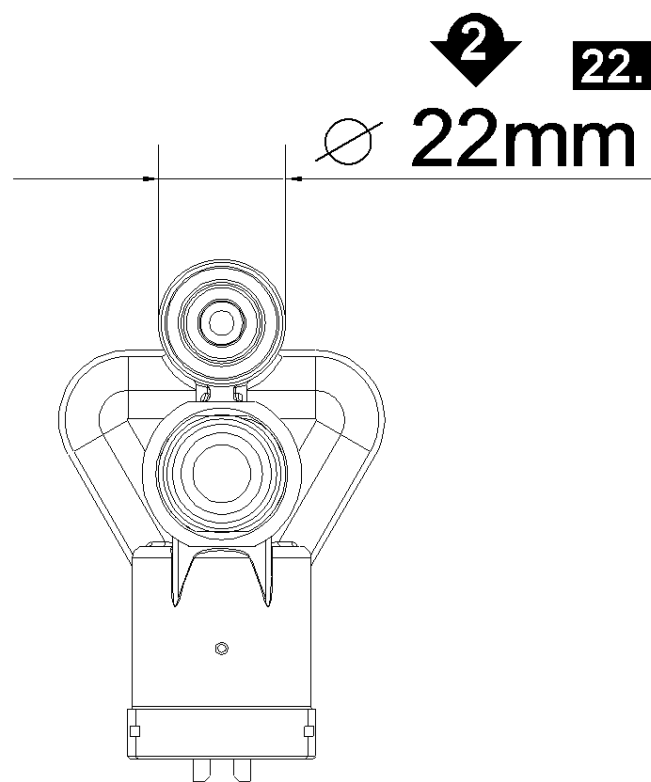
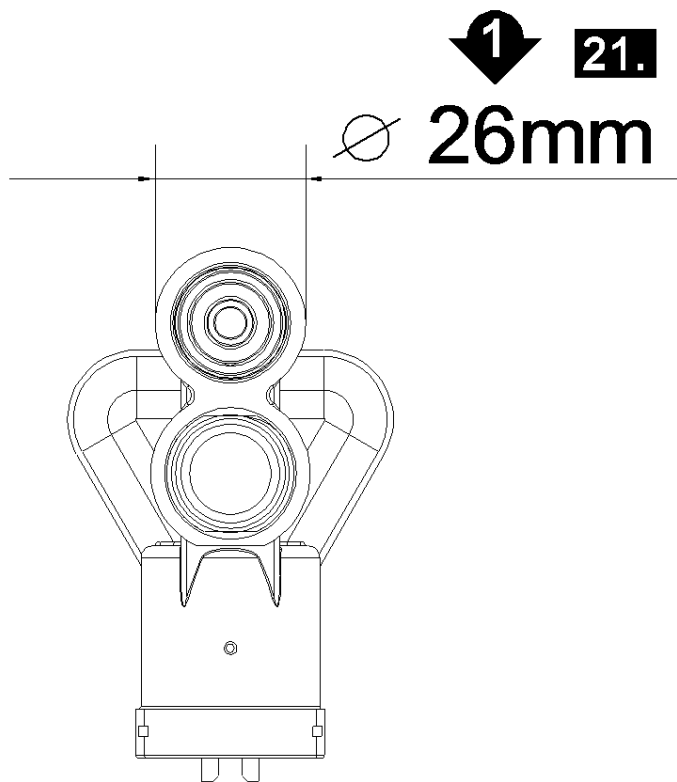
ET/VT (spare/wear parts)	Pos	Material #	Name	Qty.	Unit	Footnote text
	22	9.037-965.0	Cover black X-Top	1.000	ST	
Position text: 1.603-350.0						
	23	6.388-216.0	Hose DN 5	1.000	M	TO ORDER AS CUT GOODS
X	24	5.731-652.0	Filter with weight	1.000	ST	



12 Hose reel

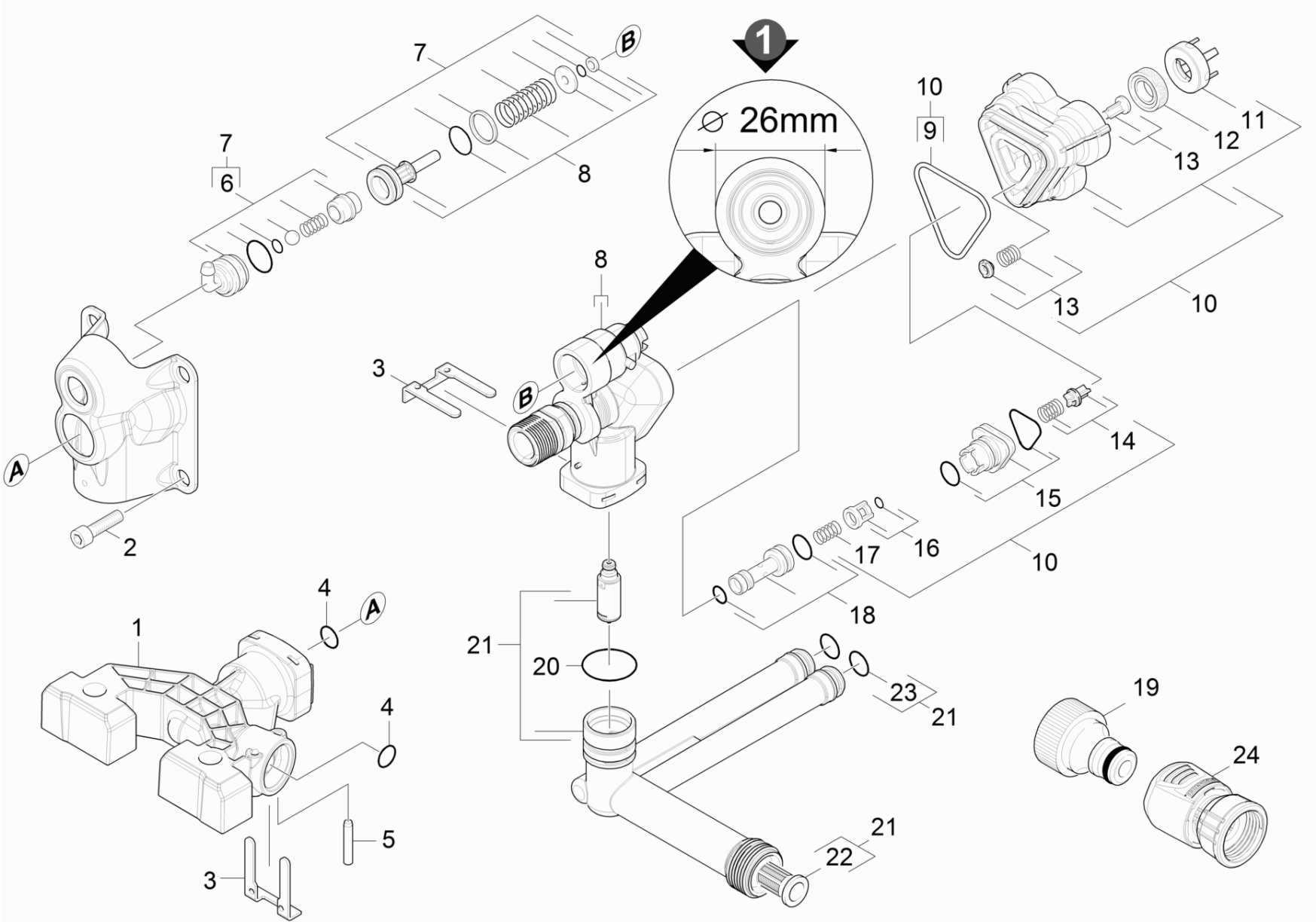
ET/VT (spare/wear parts)	Pos	Material #	Name	Qty.	Unit
	1	7.343-306.0	Lock washer 12-St-A2E DIN 6799	2.000	ST
	2	5.443-603.0	Rotary bushing	1.000	ST
X-X	3	5.037-221.0	Clamp	2.000	ST
X-X	4	6.363-410.0	O-Ring seal 5,7x1,78 NBR 90Shore	2.000	ST
	5	2.885-187.0	Spare parts set hollow shaft	1.000	ST
X-X	6	6.362-151.0	O-Ring d. 10 x 2 NBR 70	1.000	ST
	7	6.362-101.0	O-Ring seal 8 X 2	1.000	ST
	8	7.304-027.0	Hexagonal head screw M8x12-8.8-P2E EN 1	1.000	ST
X	9	2.885-188.0	Spare parts set hose reel	1.000	ST
	10	5.481-413.0	Clamp hose HD	1.000	ST
X	11	9.086-203.0	Screw 4x22	1.000	ST
	12	7.303-096.0	Screw 4x22 -ST-10.9-R2R (IN6RD)	2.000	ST
X-X	13	9.012-656.0	Crank complete	1.000	ST
X	14	9.082-104.0	High pressure hose	1.000	ST
X-X	15	6.363-410.0	O-Ring seal 5,7x1,78 NBR 90Shore	2.000	ST
X	16	9.086-173.0	Screw Hi-Lo d.4x22 Torx-d.7,5	1.000	ST
X-X	17	9.037-674.0	Brigde handhold hose reel	1.000	ST





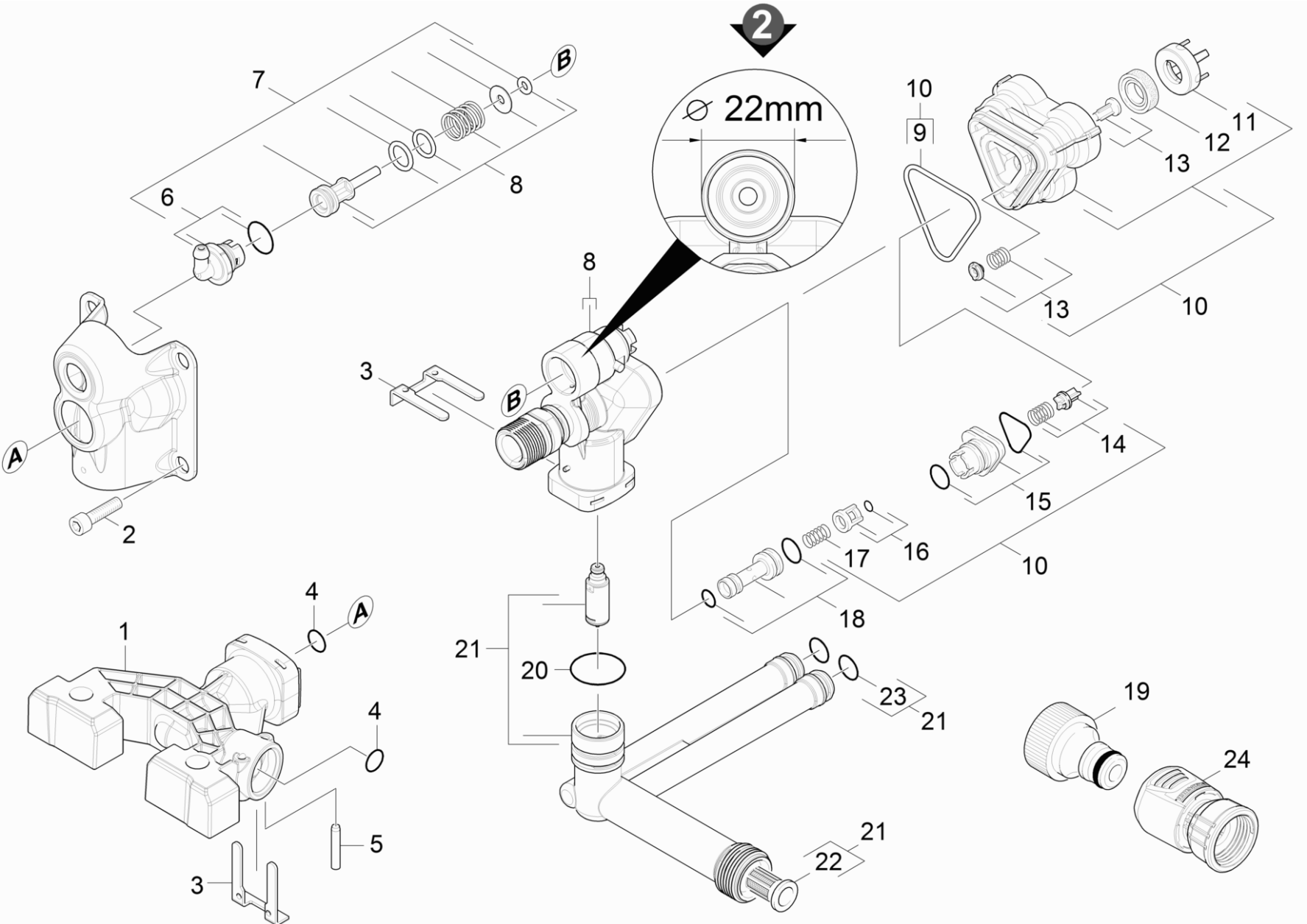
20 Pump set

Pos	Name	Qty.	Unit	Footnote text
21	Housing	1.000	ST	VERSION 1
22	Housing	1.000	ST	VERSION 2
23	Thrust guidance	1.000	ST	



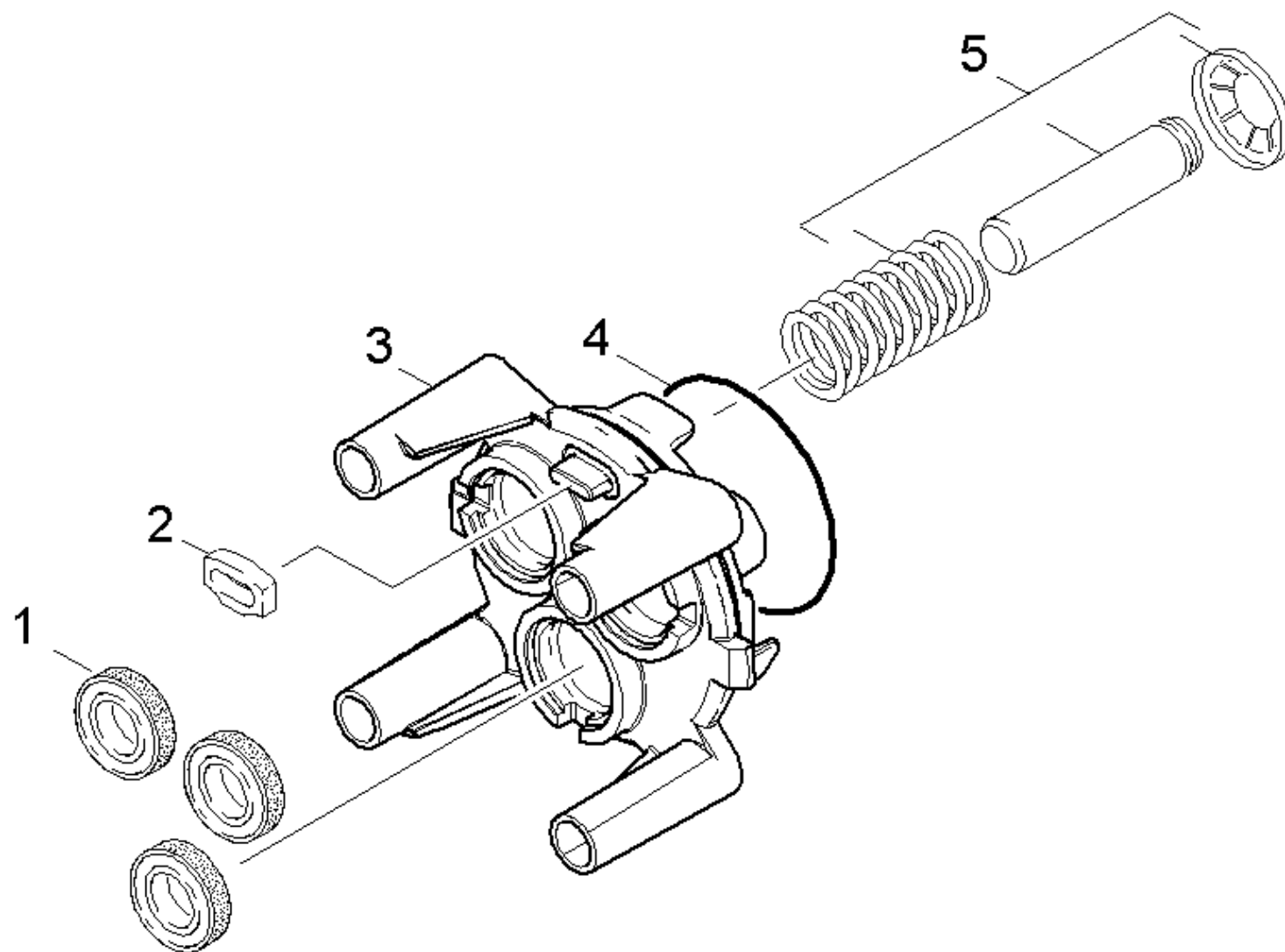
21 Housing

ET/VT (spare/wear parts)	Pos	Material #	Name	Qty.	Unit	Footnote text
	1	9.762-046.0	HP frame for hose reel K5	1.000	ST	
	2	9.086-200.0	Screw M 8x55 Class 8.8	4.000	ST	
	3	9.039-148.0	Metal fork	2.000	ST	
X-X	4	6.362-151.0	O-Ring d. 10 x 2 NBR 70	2.000	ST	
	5	9.039-370.0	Pin for HP frame	2.000	ST	
X-X	6	9.001-741.0	FRONT HOUSING MODULAR COMPACT	1.000	ST	
X	7	9.755-290.0	Pressostat piston and detergent fitting	1.000	ST	
X-X	8	9.002-011.0	Conversion kit housing new D=22mm	1.000	ST	
X-X	9	9.081-422.0	Form seal	1.000	ST	
X-X	10	9.755-295.0	H.P. head complete Spare Part	1.000	ST	
X	11	9.755-292.0	Water sealing spacer spare part	3.000	ST	
X-X	12	6.362-875.0	Grooved ring	3.000	ST	
X	13	9.755-273.0	Inlet valve spring with washer spare p	1.000	ST	SET CONSISTS OF 3X MACHINED PART COMPL.
X	14	9.755-274.0	Outlet valve with spring spare part	1.000	ST	SET CONSITSTS OF 3X VALVE
	15	9.755-275.0	Connecting bushing assembly spare part	1.000	ST	
X	16	9.755-276.0	Back flow valve assembly spare part	1.000	ST	
	17	9.755-277.0	Back flow valve spring spare part	1.000	ST	
	18	9.002-017.0	Venturi nozzle D.1,45	1.000	ST	
X-X	19	6.465-031.0	Connection 3/4	1.000	ST	
	20	9.755-279.0	O-Ring seal d.20,5x2,2 NBR 7 spare part	1.000	ST	
X	21	9.755-307.0	Suction connection complete replacement	1.000	ST	
X	22	9.755-280.0	Fine filter spare part	1.000	ST	
	23	9.760-955.0	O-Ring seal 12,0x2,0 EPDM	2.000	ST	
X-X	24	4.645-363.0	Coupler with label aqua cpl.	1.000	ST	



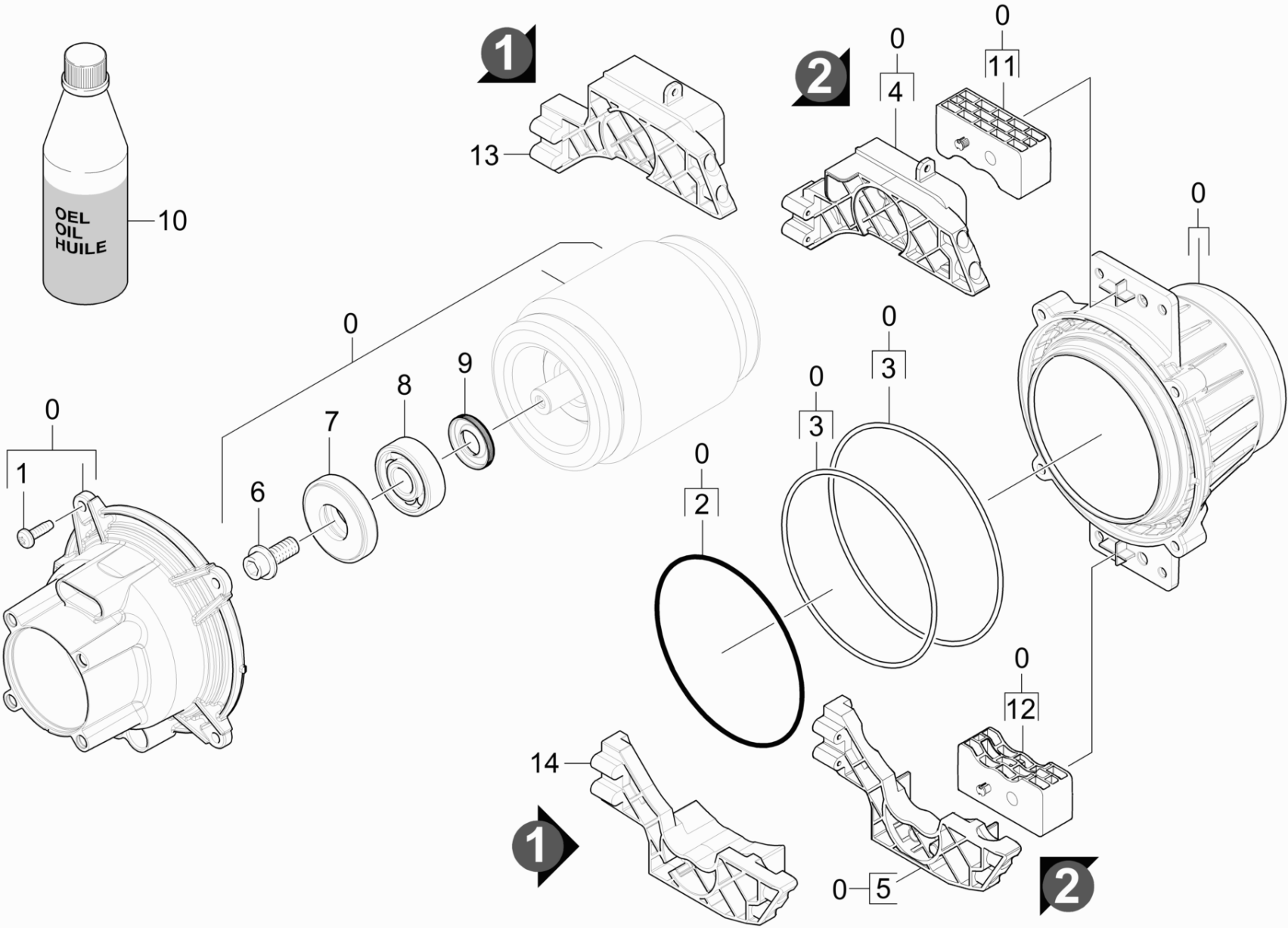
22 Housing

ET/VT (spare/wear parts)	Pos	Material #	Name	Qty.	Unit	Footnote text
	1	9.762-046.0	HP frame for hose reel K5	1.000	ST	
	2	9.086-200.0	Screw M 8x55 Class 8.8	4.000	ST	
	3	9.039-148.0	Metal fork	2.000	ST	
X-X	4	6.362-151.0	O-Ring d. 10 x 2 NBR 70	2.000	ST	
	5	9.039-370.0	Pin for HP frame	2.000	ST	
X	6	9.002-027.0	Rad. 90° control housing HR (ric)	1.000	ST	
	7	9.002-028.0	pressure piston HR (spare)	1.000	ST	
X-X	8	9.002-029.0	manifold HR + pressure piston	1.000	ST	
X-X	9	9.081-422.0	Form seal	1.000	ST	
X-X	10	9.755-295.0	H.P. head complete Spare Part	1.000	ST	
X	11	9.755-292.0	Water sealing spacer spare part	3.000	ST	
X-X	12	6.362-875.0	Grooved ring	3.000	ST	
X	13	9.755-273.0	Inlet valve spring with washer spare p	1.000	ST	SET CONSISTS OF 3X MACHINED PART COMPL.
X	14	9.755-274.0	Outlet valve with spring spare part	1.000	ST	SET CONSITSTS OF 3X VALVE
	15	9.755-275.0	Connecting bushing assembly spare part	1.000	ST	
X	16	9.755-276.0	Back flow valve assembly spare part	1.000	ST	
	17	9.755-277.0	Back flow valve spring spare part	1.000	ST	
	18	9.002-017.0	Venturi nozzle D.1,45	1.000	ST	
X-X	19	6.465-031.0	Connection 3/4	1.000	ST	
	20	9.755-279.0	O-Ring seal d.20,5x2,2 NBR 7 spare part	1.000	ST	
X	21	9.755-307.0	Suction connection complete replacement	1.000	ST	
X	22	9.755-280.0	Fine filter spare part	1.000	ST	
	23	9.760-955.0	O-Ring seal 12,0x2,0 EPDM	2.000	ST	
X-X	24	4.645-363.0	Coupler with label aqua cpl.	1.000	ST	



23 Thrust guidance

ET/VT (spare/wear parts)	Pos	Material #	Name	Qty.	Unit
X-X	1	6.365-393.0	Oil sealing 12x20x4/6	3.000	ST
	2	9.048-071.0	Spacer - Seal	1.000	ST
	3	9.042-129.0	Pistonguide K3/K4 Compact machined	1.000	ST
	4	9.080-426.0	O-Ring seal 62x3 NBR 70Shore	1.000	ST
X-X	5	9.001-927.0	Piston complete	3.000	ST

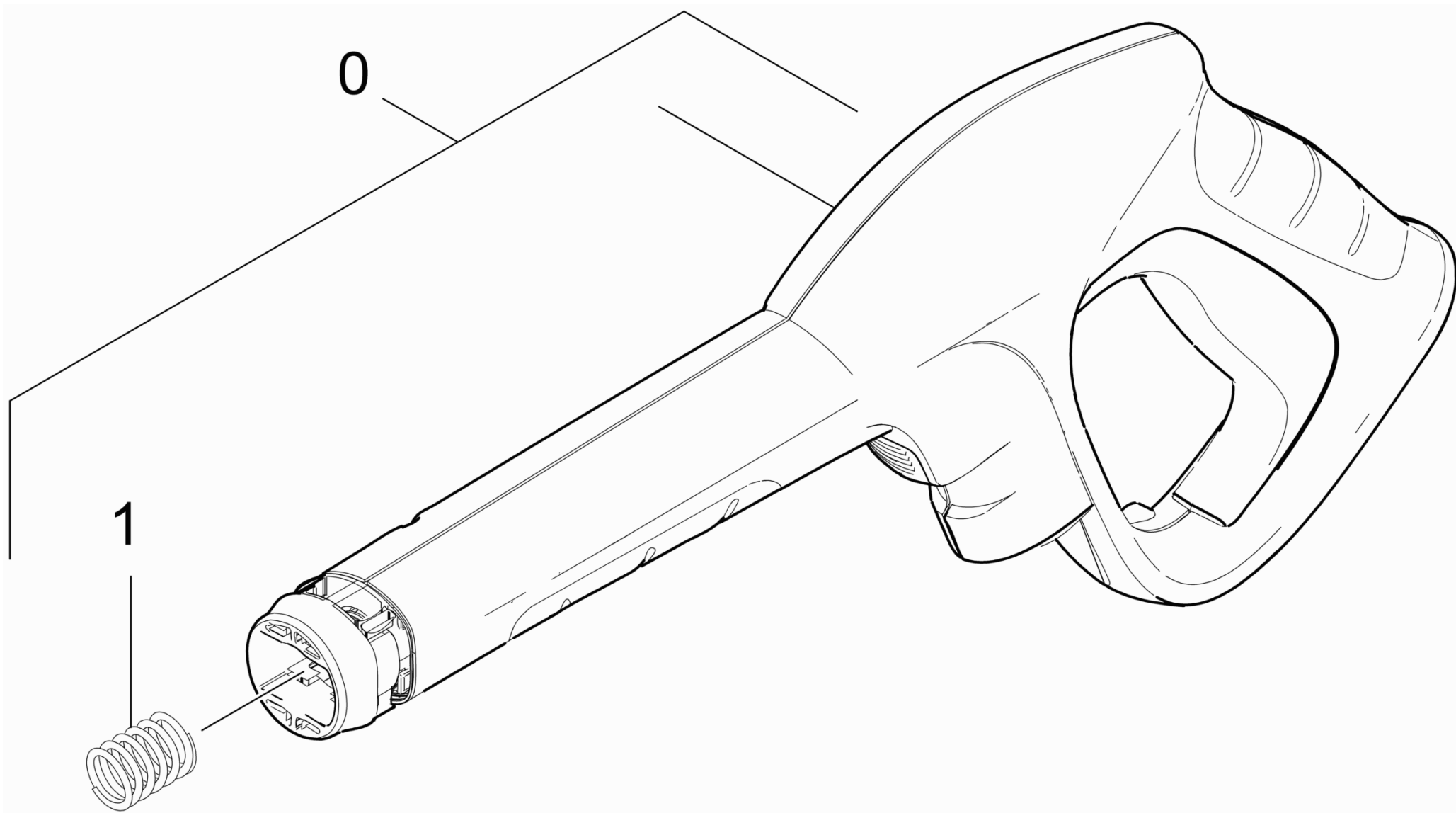


30 Motor

ET/VT (spare/wear parts)	Pos	Material #	Name	Qty.	Unit
	0	9.755-306.0	Motor complete replacement */CA (WCM)	1.000	ST
	1	7.303-048.0	Screw M6x20 -St-R3R (In6Rd)	4.000	ST
	2	9.760-956.0	O-ring d.113,0x3.0 EPDM 70	1.000	ST
X-X	3	9.755-356.0	O-ring replacement WCM	1.000	ST
	4	9.762-043.0	Support pump right	1.000	ST
	5	9.762-044.0	Support pump left	1.000	ST
	6	9.086-205.0	Screw	1.000	ST
	7	9.755-308.0	Wobble plate complete replacement 7°17'	1.000	ST
	8	7.401-010.0	Ball bearing 6303 -St DIN 625	1.000	ST
	9	9.078-007.0	Rotary shaft seal 17x35x5	1.000	ST
	10	6.288-112.0	Engine oil 1L	1.000	ST
	11	9.762-028.0	Damper rubber right K2 WCM	1.000	ST
	12	9.762-027.0	Damper rubber left K2 WCM	1.000	ST
	13	9.762-049.0	Support pump right	1.000	ST
	14	9.762-050.0	Support pump left	1.000	ST

40 Accessories

Pos	Name	Qty.	Unit
41	Hand trigger gun	1.000	ST
42	High pressure hose	1.000	ST
43	VPS K3	1.000	ST
44	Dirt blaster	1.000	ST



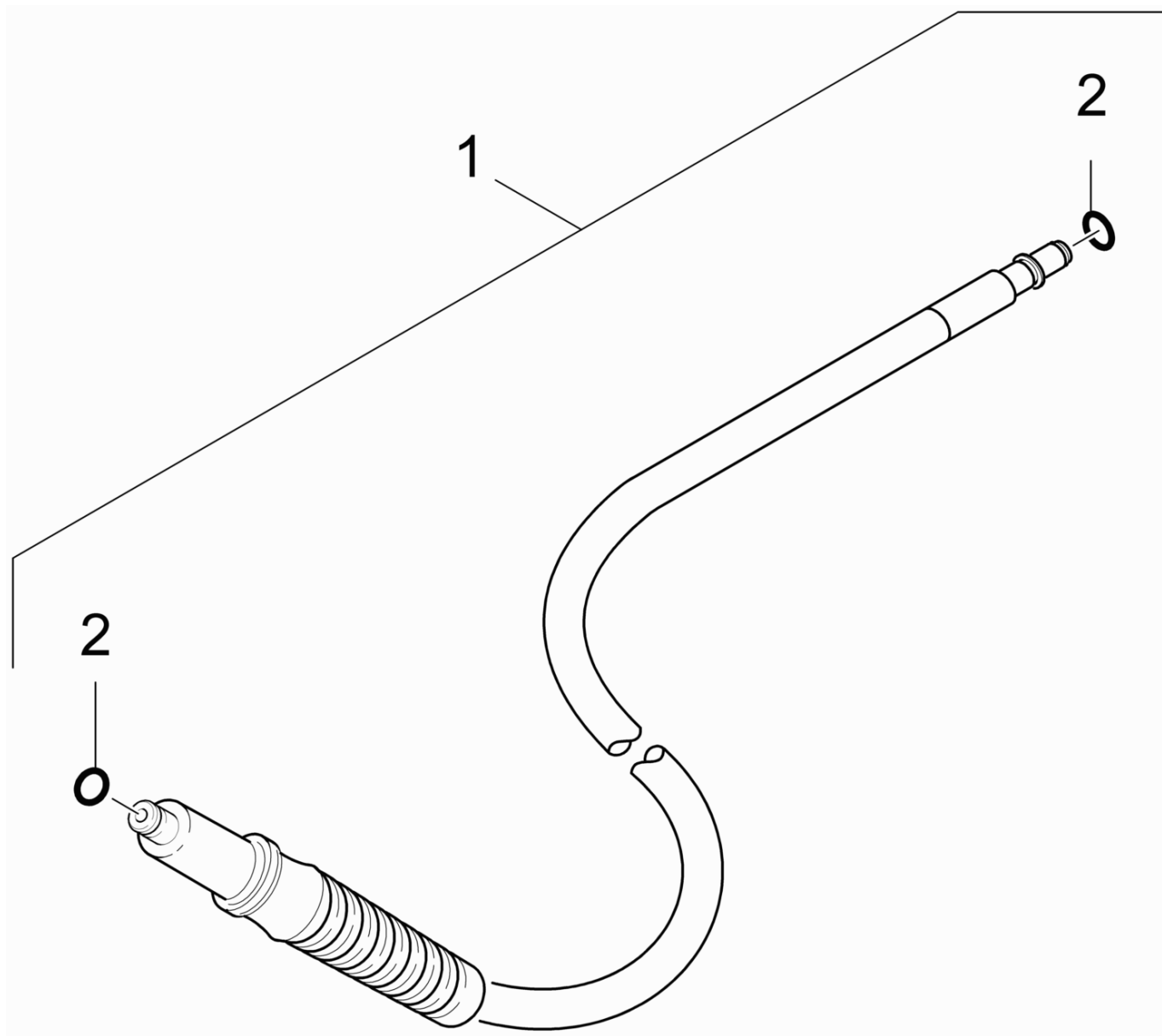
41 Hand trigger gun

ET/VT (spare/wear parts)	Pos	Material #	Name	Qty.	Unit
X-X	0	2.642-172.0	G 160 Q pistol Quick Connect	1.000	ST
	1	5.332-464.0	Pressure spring	1.000	ST



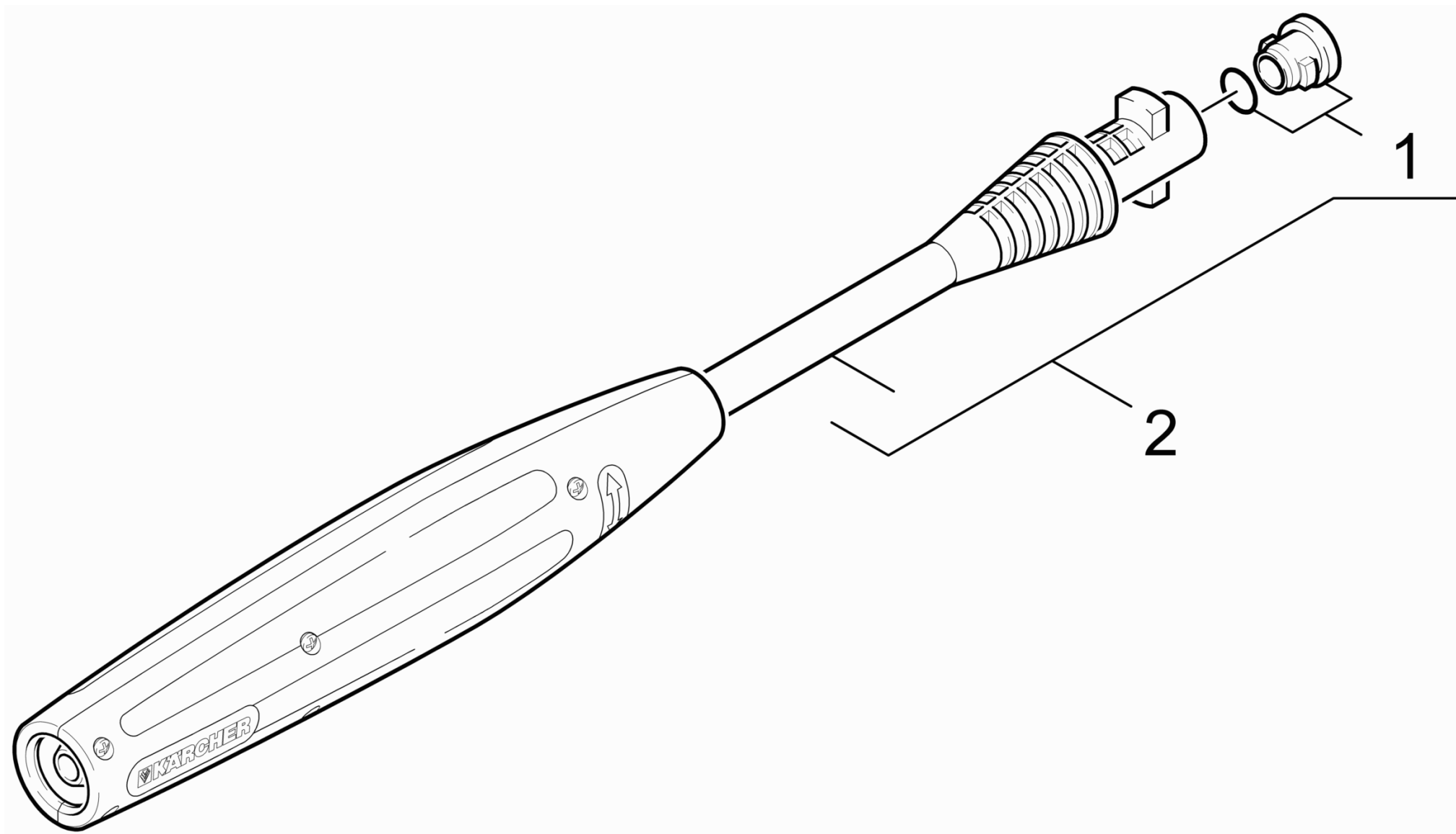
0 G 160 Q pistol Quick Connect (2.642-172.0)

Pos	Material #	Name	Qty.	Unit
1	5.332-464.0	Pressure spring	1.000	ST



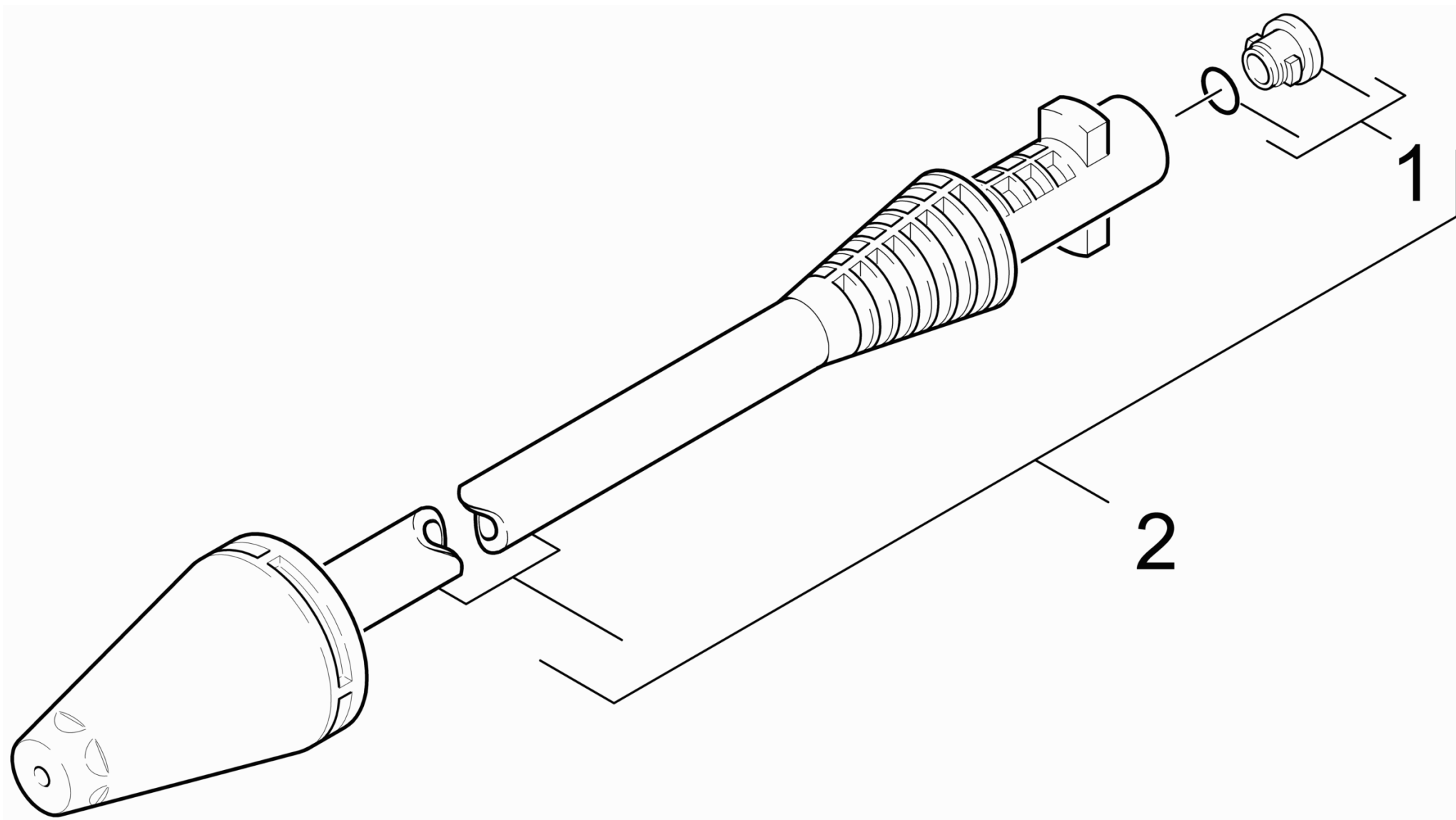
42 High pressure hose

ET/VT (spare/wear parts)	Pos	Material #	Name	Qty.	Unit
X	1	6.391-794.0	High pressure hose 16MPa/9 60°C QC B	1.000	ST
X-X	2	6.363-410.0	O-Ring seal 5,7x1,78 NBR 90Shore	2.000	ST



43 VPS K3

ET/VT (spare/wear parts)	Pos	Material #	Name	Qty.	Unit
X-X	1	2.640-729.0	O-Ring seal set	1.000	ST
	2	4.760-623.0	VPS K3 021K	1.000	ST

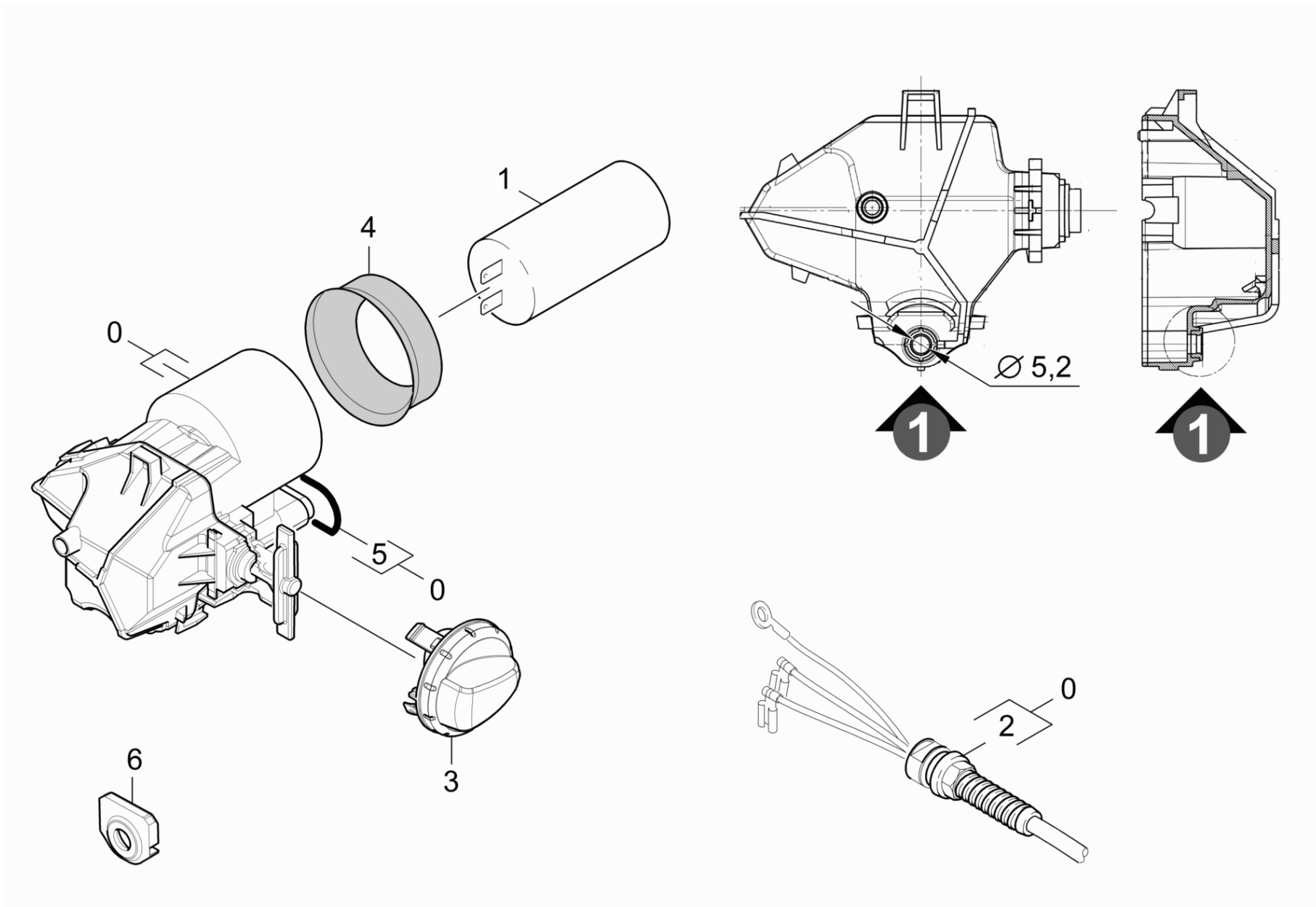


44 Dirt blaster

ET/VT (spare/wear parts)	Pos	Material #	Name	Qty.	Unit
X-X	1	2.640-729.0	O-Ring seal set	1.000	ST
X-X	2	4.764-243.0	Dirt blaster K2 027 St	1.000	ST

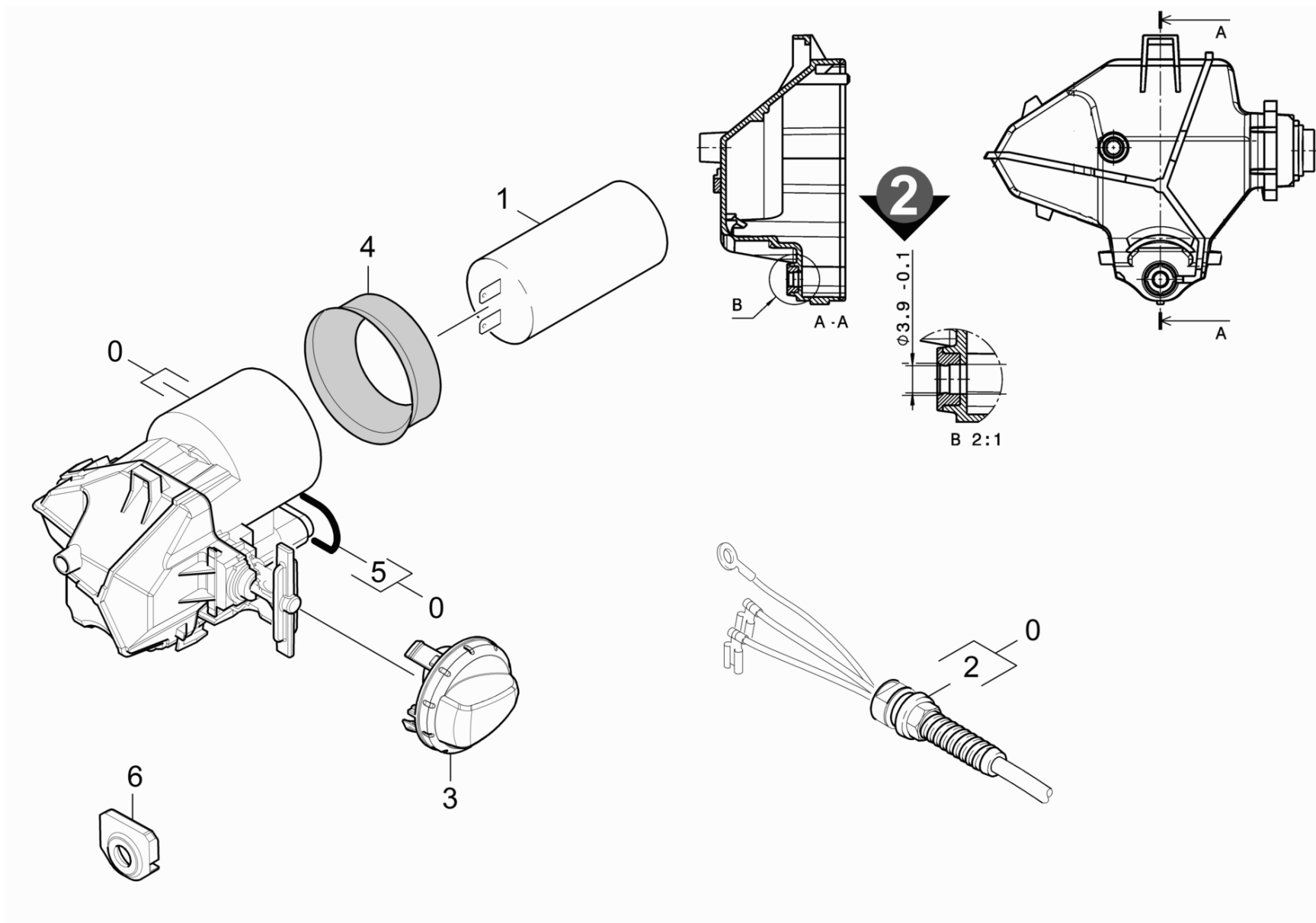
50 Electric box

Pos	Name	Qty.	Unit	Footnote text
51	Electric box	1.000	ST	VERSION 1
52	Electric box	1.000	ST	VERSION 2



51 Electric box

ET/VT (spare/wear parts)	Pos	Material #	Name	Qty.	Unit
X	0	9.755-302.0	Electric box replacement K3.540	1.000	ST
	1	6.661-196.0	Capacitor 60µF	1.000	ST
	2	9.084-149.0	Cable with plug	1.000	ST
	3	9.048-123.0	OVER INJ 2K KNOB	1.000	ST
	4	9.760-118.0	Seal	1.000	ST
	5	9.081-417.0	O-Ring d.20 x 2	1.000	ST
	6	9.037-441.0	Spacer electric box WCM	1.000	ST



52 Electric box

ET/VT (spare/wear parts)	Pos	Material #	Name	Qty.	Unit
X	0	9.755-425.0	Electric box complete replacement-HR	1.000	ST
	1	6.661-196.0	Capacitor 60μF	1.000	ST
	2	9.084-149.0	Cable with plug	1.000	ST
	3	9.048-123.0	OVER INJ 2K KNOB	1.000	ST
	4	9.760-118.0	Seal	1.000	ST
	5	9.081-417.0	O-Ring d.20 x 2	1.000	ST
	6	9.037-441.0	Spacer electric box WCM	1.000	ST
